

"WE MAKE THE KITCHEN BETTER!"

Countertop Charbroilers

Standard Features

- Stainless steel exterior and interior
- 35,000 BTU stainless steel burners with standby pilot
- Independent manual controls every 12"
- Heavy-duty, reversible cast iron grates
- Top grates are adjustable multi-level
- Units include lava briquettes standard
- Adjustable, stainless steel legs standard
- 3/4" NPT rear gas connection and regulator standard

MODELS:

ATCB-24 / ATCB-36 / ATCB-48

ATCB-24



ATCB-36



ATCB-48



Conforms to ANSI
 STD Z83.11b-2009 (2011)
 Certified to CSA
 STD 1.8B-2009 (2011)
 Conforms to NSF/ANSI STD.4



"WE MAKE THE KITCHEN BETTER!"

SPECIFICATIONS

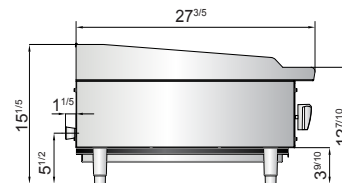
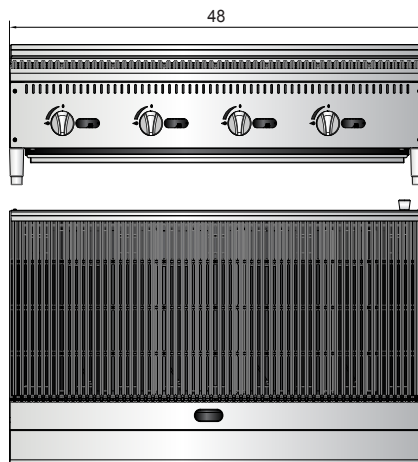
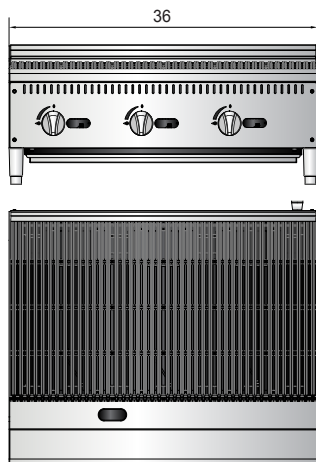
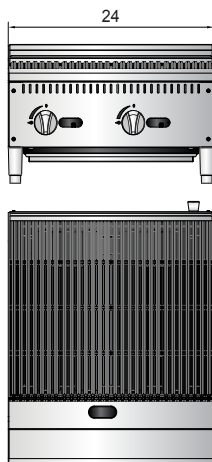
Models	Burners and Control Method	Gas Type	Intake-tube Pressure (in.W.C.)	Per BTU B.T.U./h	Total BTU B.T.U./h	Regulator	Work Area (inch)	Exterior Dimensions (inch)	Net Weight (lbs)	Gross Weight (lbs)
ATCB-24	2 Burners, Independent Manual Control	NG	4	35,000	70,000	4" w.c.	23 ^{9/10} × 20 ^{1/5}	24 × 27 ^{3/5} × 15 ^{1/5}	137	168
ATCB-36	3 Burners, Independent Manual Control	NG	4	35,000	105,000	4" w.c.	35 ^{7/10} × 20 ^{1/5}	36 × 27 ^{3/5} × 15 ^{1/5}	191	238
ATCB-48	4 Burners, Independent Manual Control	NG	4	35,000	140,000	4" w.c.	47 ^{9/10} × 20 ^{1/5}	48 × 27 ^{3/5} × 15 ^{1/5}	248	314

PLAN VIEW

ATCB-24

ATCB-36

ATCB-48



Cast iron grates

Stainless steel knobs

Dripping hole

